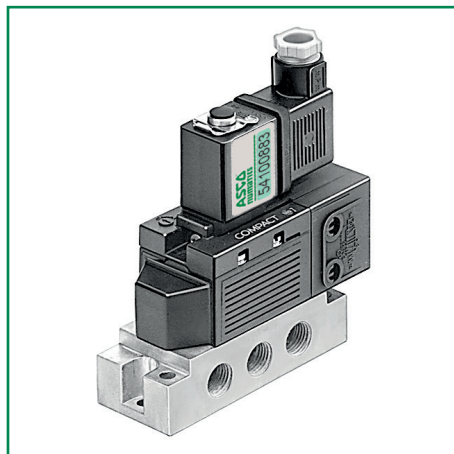


FEATURES

- Modular assembly with joinable subbases
- Subbases with side or bottom ports
- Version with manual spool position testers

GENERAL

Fluid	Air or neutral gas, filtered, lubricated or not
Operating pressure	3 to 10 bar
Ambient temperature	-10°C to +60°C
Flow (Qv at 6 bar)	1050 l/min (ANR)
Flow coefficient	Kv = 15
Life	15 millions of cycles (in normal operating conditions)
Base	ISO 5599/01- Size 1
Subbase	Single subbase ISO/AFNOR NF E49085 Joinable subbase ISO/VDMA 24345 Joinable subbase with integrated functions



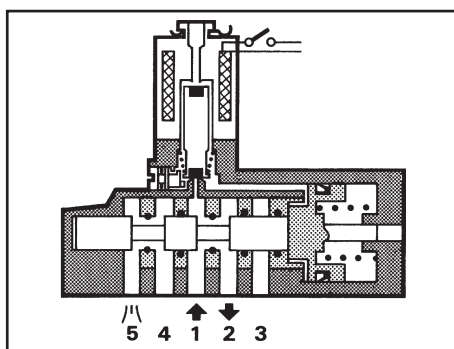
CONSTRUCTION

SPOOL VALVE

Body and cover	PA + FG (glass filled polyamide 6/6)
Internal parts	POM (polyacetal), light alloy and brass
Seals	NBR (nitrile) and PUR (polyurethane)

BUILT-IN SOLENOID PILOT

Seals	NBR (nitrile) and PUR (polyurethane)
Electrical devices	Conforming to standard NF-C79300
Coil and iron circuit	Encapsulated monobloc, rotatable x 360°
Exhaust	M5 ports tapped, with exhaust plug
Manual operator	Maintained



ELECTRICAL CHARACTERISTICS

type of coil	voltage		consumption		insulation class	protection degree	electrical connection
	~	=	inrush	hold			
standard size 22	~	24V-48V-115V-230V-50Hz	6VA	3,5VA (2,5W)	F	IP 65	spade plug size 22 connector DIN 43650, 11 mm, industry standard B
	=	24V-48V	2,5W				

SPECIFICATIONS

symbol	operators		response time (ms)		catalogue number		manual operator
	pilot (14)	return (12)	energized	de-energized	with connector	without connector	
	solenoid air operated	spring	18	70	54100883	54100884*	maintained

* Option : connector with built-in visual indicator and electrical protection ()

SUBBASES

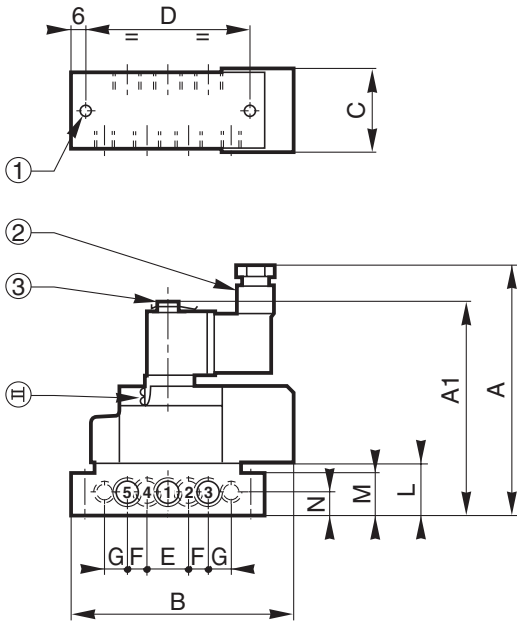
description	type	Ø	catalogue number
single subbase (ISO/AFNOR)	compact - side port	G 1/4	35500150
	bottom port	G 1/4	35500077
joinable subbase (ISO/VDMA)	bottom port	G 1/4	35500165
	1 set of 2 end plates (supply and exhaust side ports)	G 3/8	35500166

Other subbases:

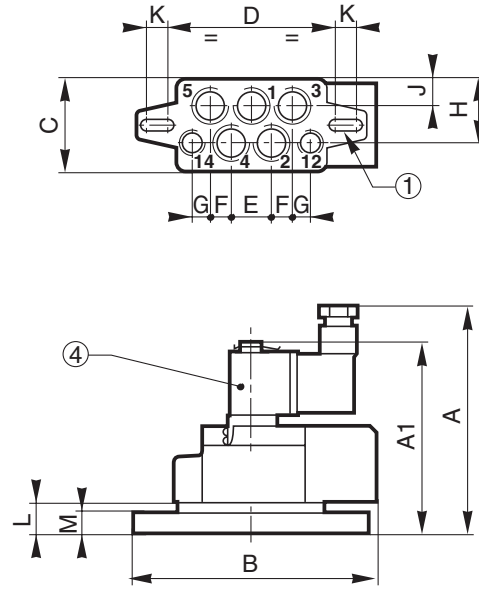
DIMENSIONS (mm), WEIGHT (kg)

VALVE ON **SINGLE SUBBASE**

Code of subbase with **side port** : **35500150**



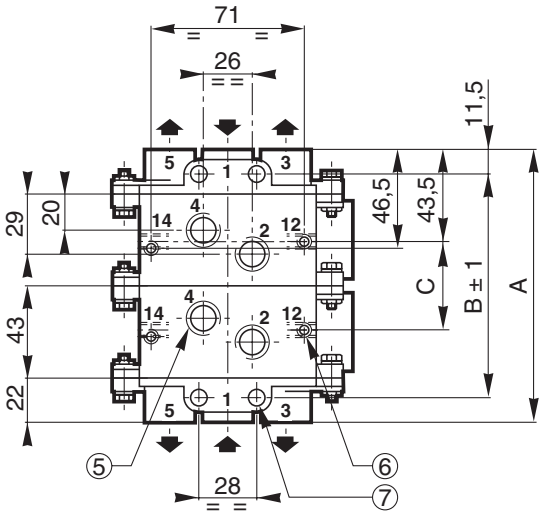
Code of subbase with **bottom port** : **35500077**



subbase catalogue number	port orifices			A	A1	B	C	D	E	F	G	H	J	K	L	M	N	weight
	12 - 14	2 - 4	1 - 3 - 5															
35500150	G 1/8	G 1/4	G 1/4	118	100	105	39	80	20	10	9	-	-	-	25	19	11	0,450
35500077	G 1/8	G 1/4	G 1/4	109	91	114	47	80	20	10	8,5	31	13,4	9	16	10	-	0,370

weight of compact monostable valve : 0.230 kg

VALVE ON **JOINABLE SUBBASES WITH BOTTOM PORT ISO/VDMA**

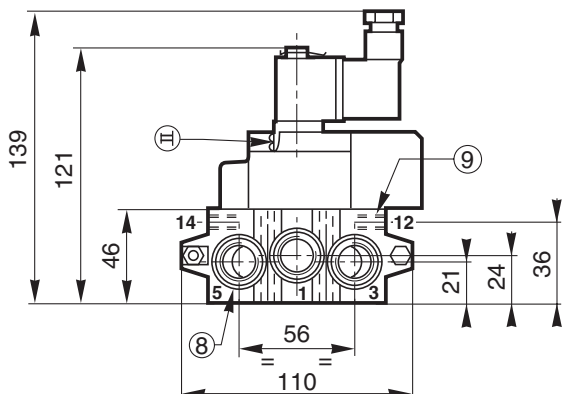


	catalogue number	port orifices		
		12-14	2-4	1-3-5
subbase	35500165	G 1/8	G 1/4	-
2 end plates	35500166	-	-	G 3/8

set of end plate supplied with 3 plugs G 3/8 (for 1-3-5)

number of subbases	A	B ± 1	C	weight
3	173	150	86	1,600
4	216	193	129	2,050
5	259	236	172	2,500
6	302	279	215	2,950
7	345	322	258	3,400
8	388	365	301	3,850

Weight = valves + subbases + end plates



- ① Mounting : 2 Ø 5,5
- ② Size 22 connector
- ③ Port M5 depth 5.5
- ④ Coil rotatable x 360°
- ⑤ 2 ports G 1/4 (2-4)
- ⑥ Bottom mounting : 2 Ø M5
- ⑦ Mounting : 4 Ø 7
- ⑧ 3 ports G 3/8 (1-3-5)
- ⑨ 2 ports G 1/8 (12-14)
- Ⓜ Manual operator