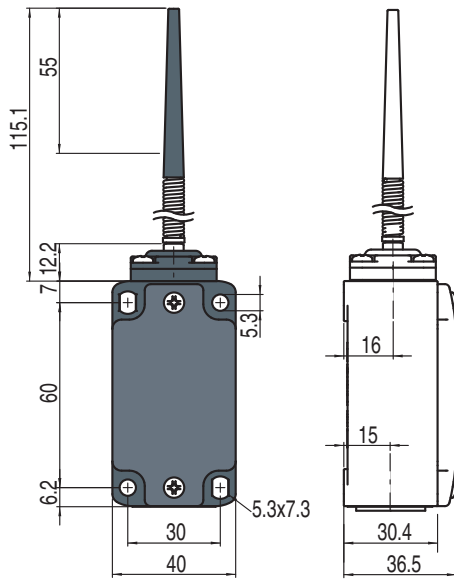


## Technical features: FD 320

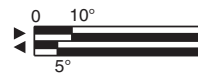


### Article

FD 320

### Contacts

1NO+1NC



- Snap action
- Double interruption



## Technical data

### Housing

Metal housing, powder-coated  
One threaded conduit entry:  
Protection degree:

PG 13.5  
IP67 acc. to EN 60529 with cable gland presenting same or higher protection degree

### General data

Ambient temperature:  
Max. actuation frequency:  
Mechanical endurance:  
Mounting position:  
Safety parameters:  
B<sub>10d</sub>:  
Mechanical interlock, not coded:

-25°C ... +80°C  
3600 operating cycles/hour  
20 million operating cycles  
any  
40,000,000 for NC contacts  
type 1 according to EN ISO 14119

### Cross section of the conductors (flexible lead wire)

Contact block 3: min. 1 x 0.5 mm<sup>2</sup> (1 x AWG 20)  
max. 2 x 1.5 mm<sup>2</sup> (2 x AWG 16)

### Screws driving torques

Cover screws: 0.8 ... 1.2 Nm  
Head screws: 0.8 ... 1.2 Nm

### In conformity with requirements requested by:

Low Voltage Directive 2014/35/UE  
Machinery Directive 2006/42/EC

### In conformity with standards:

IEC 60947-5-1, EN 60947-5-1, EN 60947-1, EN 50041, IEC 60204-1, EN 60204-1, EN ISO 14119, EN ISO 12100, IEC 60529, EN 60529, UL 508, CSA 22.2 No.14.

### Quality marks:



IMQ approval: EG605  
UL approval: E131787  
CCC approval: 2007010305230014  
EAC approval: RU C-IT ДМ94.В.01024

## Electrical data

Thermal current (I<sub>th</sub>): 10 A  
Rated insulation voltage (U<sub>i</sub>): 500 Vac 600 Vdc  
Rated impulse withstand voltage (U<sub>imp</sub>): 6 kV  
Conditional short circuit current: 1000 A according to EN 60947-5-1  
Protection against short circuits: fuse 10 A 500 V type aM  
Pollution degree: 3

## Utilization category

Alternate current: AC15 (50...60 Hz)  
U<sub>e</sub> (V) 250 400 500  
I<sub>e</sub> (A) 6 4 1  
Direct current: DC13  
U<sub>e</sub> (V) 24 125 250  
I<sub>e</sub> (A) 6 1.1 0.4