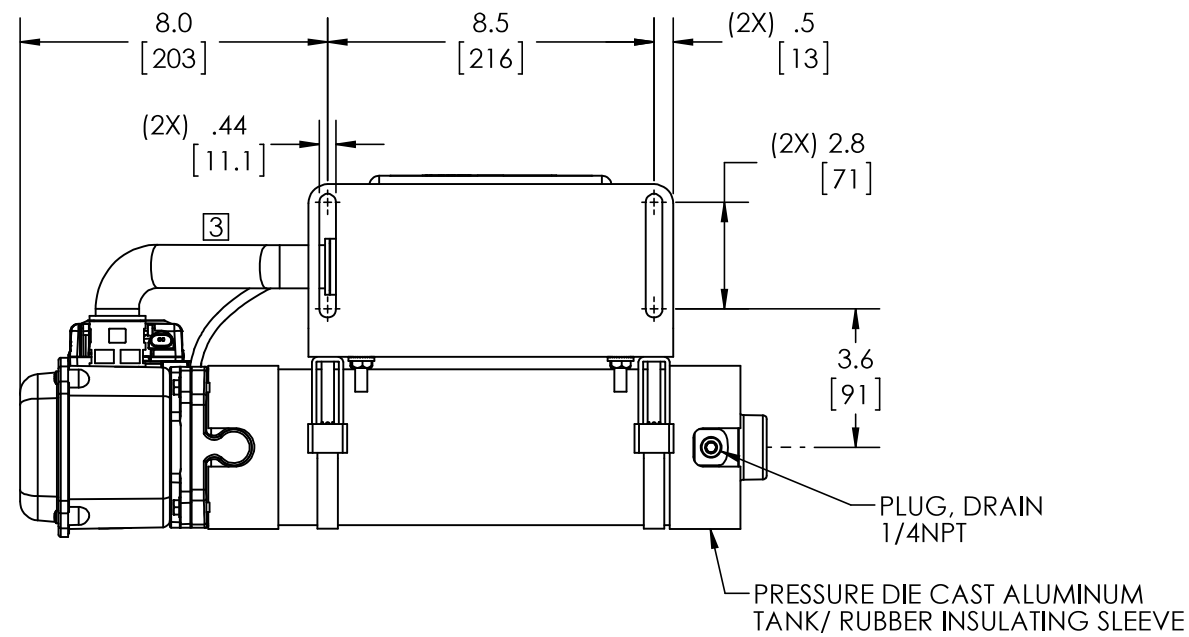
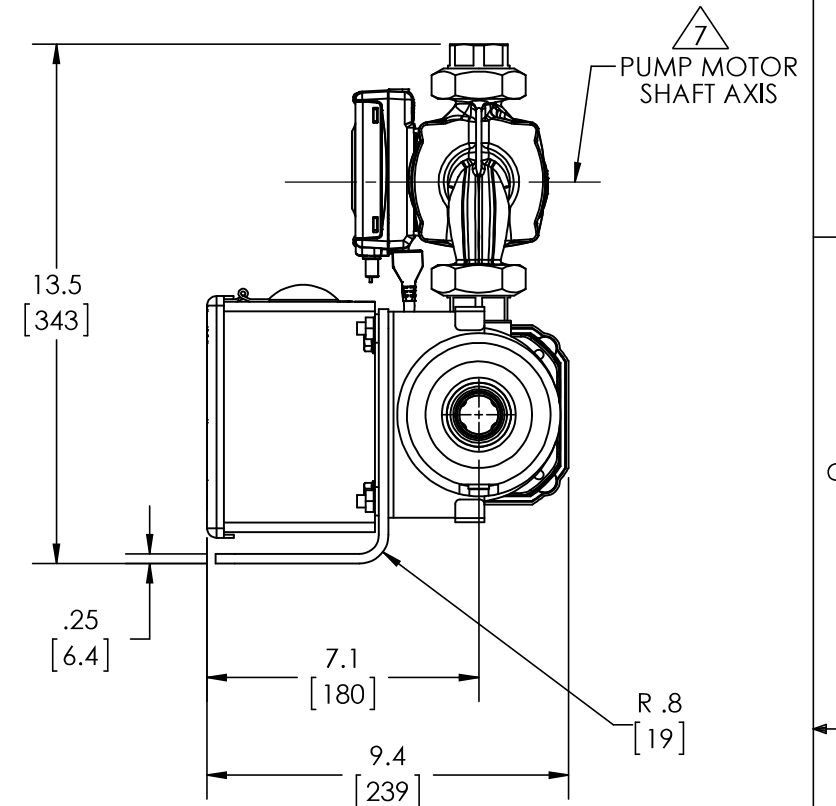
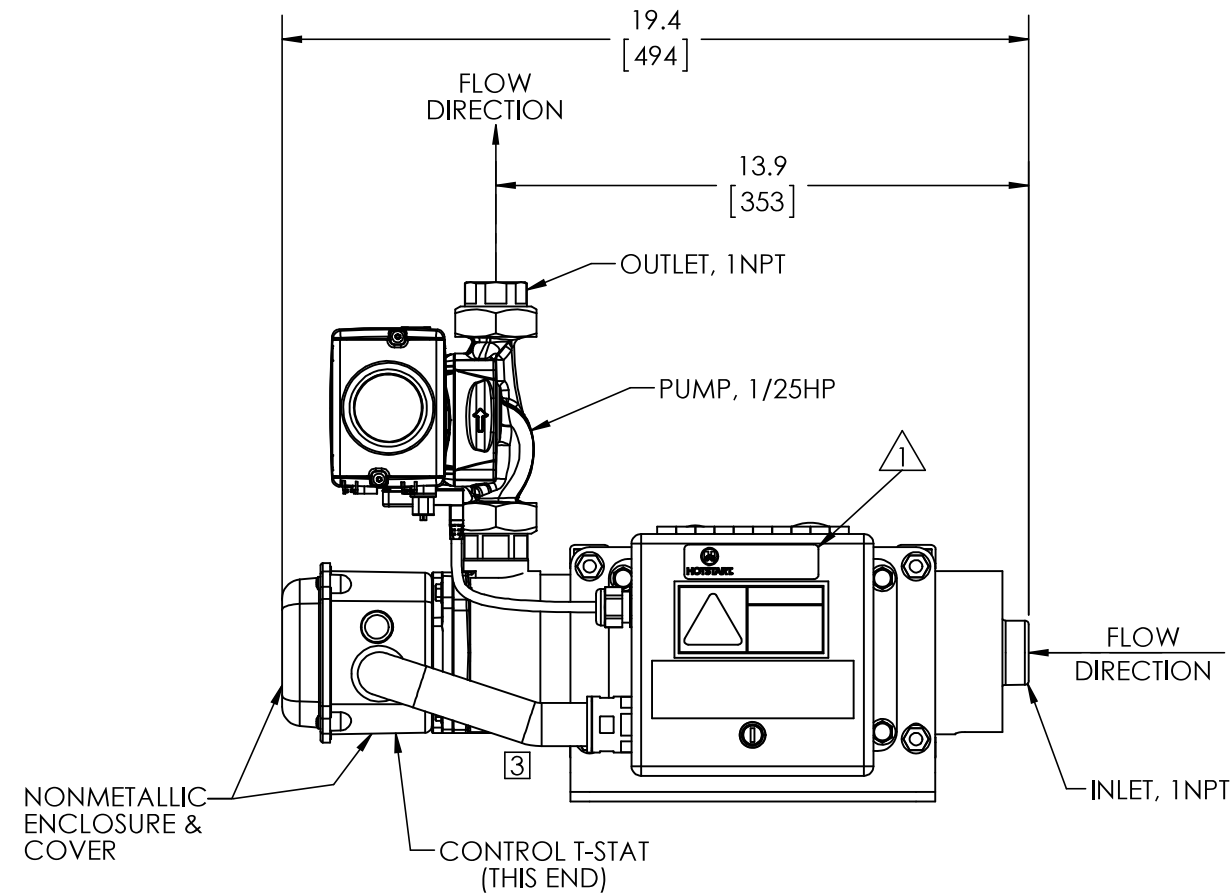
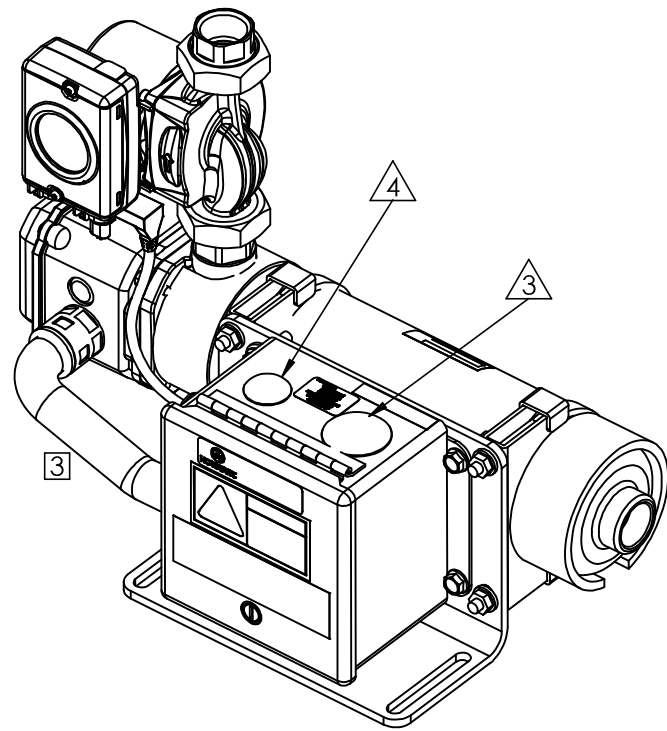



REVISIONS					
REV.	ECO	DATE	DESCRIPTION	AUTH.	DR.
1	8208	3/26/2014	CONTACTOR PART PRP232117-014 WAS PRP232117-007	REM	REM
2	8647	07-22-15	ADDED CSM1060J-5A0, CSM1090J-5A0 & ASSOCIATED REPLACEMENT PARTS (SHEET 2), UPDATED PUMP & PUMP CORD	REM	EMR
3	8834	07-19-16	UPDATED ELEMENT HARNESS AND ASSOCIATED FITTINGS.	REM	BLF



NOTES:

1. LABELED WITH PART NUMBER, WATTS, VOLTS, DATE CODE & CE MARKINGS.
2. DIMENSIONS ARE FOR REFERENCE ONLY.
3. CONDUIT OPENING FOR MAIN POWER IN (3/4" CONDUIT OPENING).
4. CONDUIT OPENING FOR 24VDC (1/2" CONDUIT OPENING).
5. SYSTEM REQUIRES SUPPLY VOLTAGE AS WELL AS A 24VDC SIGNAL FROM THE ENGINE IGNITION SYSTEM. HEATER & PUMP MUST BE DE-ENERGIZED AT ENGINE START-UP AND THE 24VDC SIGNAL IS REQUIRED FOR THIS.
6. T-STAT TOLERANCE: +/- 5° [3°C] OPEN
+/- 6°F [3.5°C] CLOSE
7. HEATING SYSTEM IS DESIGNED TO BE MOUNTED HORIZONTALLY SUCH THAT THE PUMP MOTOR SHAFT IS HORIZONTAL.
8. WEIGHT: 31lb / 14kg

CSM1030J-5A0	CSM 230V 50Hz 1P 3kW 100-130F	230	3000	13.0	100 [38]	130 [54]	
CSM1060J-5A0	CSM 230V 50Hz 1P 6kW 100-130F	230	6000	26.1	100 [38]	130 [54]	2
CSM1090J-5A0	CSM 230V 50Hz 1P 9kW 100-130F	230	9000	42.6	100 [38]	130 [54]	2
PART NUMBER	DESCRIPTION	VOLTS (V)	WATTS (W)	AMPS (A)	ON (°F [°C]) OFF (°F [°C])		T-STAT



HOTSTART, INC. SPOKANE, WA.
PROPRIETARY INFORMATION

This drawing and the information shown on it are property of Hotstart, Inc. and are for the sole purpose of doing business with us. Any copying or transmittal to others of this information is strictly prohibited without prior written consent Hotstart.

TITLE CSM 230V 50Hz 1P 3kW COOLANT SYSTEM				DWG. NO. A-6726-1S	
APPROVALS	DATE	UNLESS OTHERWISE SPECIFIED DIMENSIONS ARE IN INCHES [mm]		SIZE	ORIGIN
DRAWN BY EMR	10-08-13			B	CO8089
APPROVED BY BBD	10-08-13	TOLERANCES (Except as noted) .XX ± N/A ANGULAR ± N/A° .XXX ± N/A		SCALE	SHEET
THIRD ANGLE PROJECTION		DO NOT SCALE DRAWING		1:5	1 OF 4
					REV. 03

8 7 6 5 4 3 2 1

D

D

C

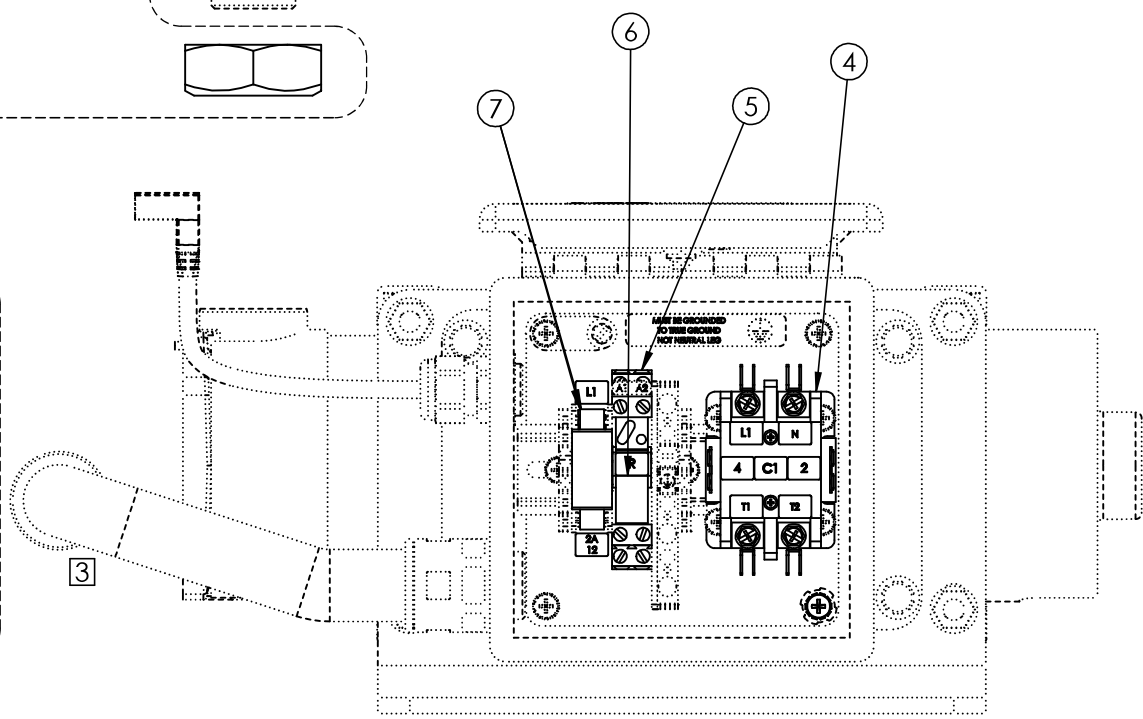
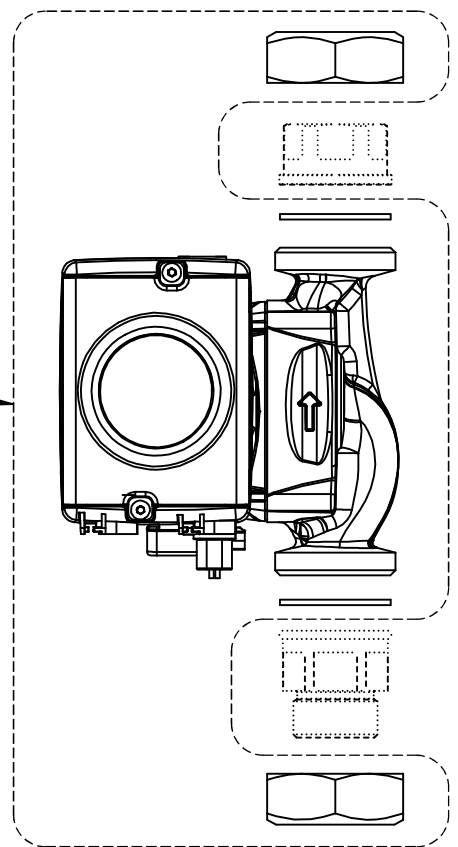
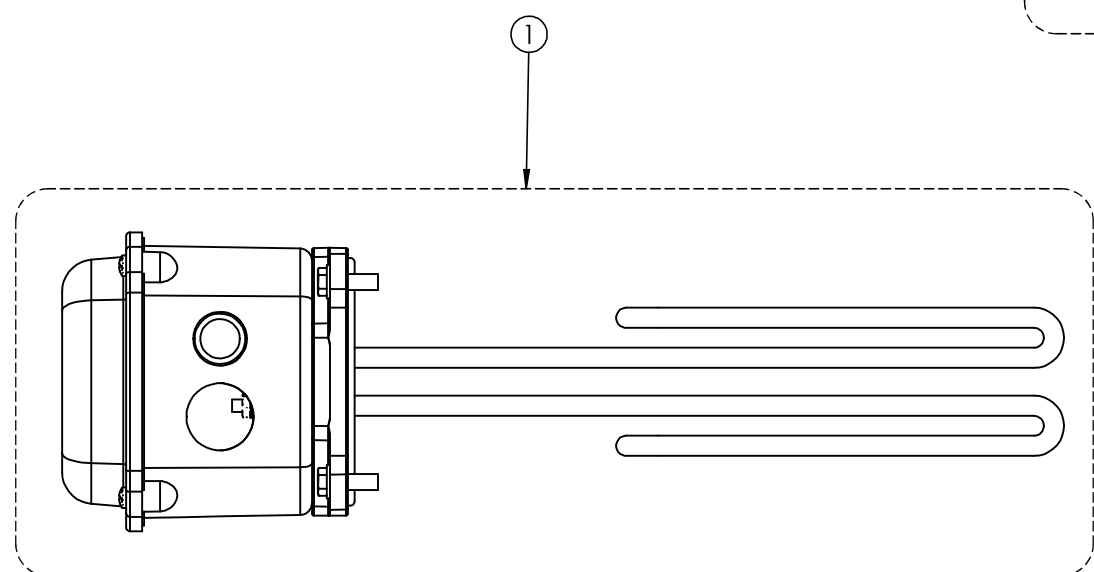
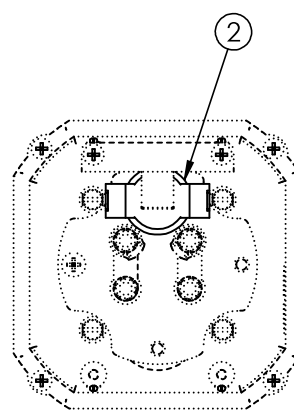
C

B

B


A

A



REPLACEMENT PARTS LIST

ITEM	DESCRIPTION	SYSTEM PART NUMBER:	CSM1030J-5A0	CSM1060J-5A0	CSM1090J-5A0
1	REPL. ELEM ASM	RECSM1030J-0A0		RECSM1060J-0A0	RECSM1090J-0A0
2	THERMOSTAT	RSU1013		RSU1013	RSU1013
3	REPL. PUMP	PRP228052-015		PRP228052-015	PRP228052-015
4	CONTACTOR	PRP232117-014		PRP232117-014	PRP232117-014
5	RELAY	PRP231149-100		PRP231149-100	PRP231149-100
6	SOCKET, RELAY	PRP231148-100		PRP231148-100	PRP231148-100
7	FUSE (250V, 2A)	PRP231026-002		PRP231026-002	PRP231026-002



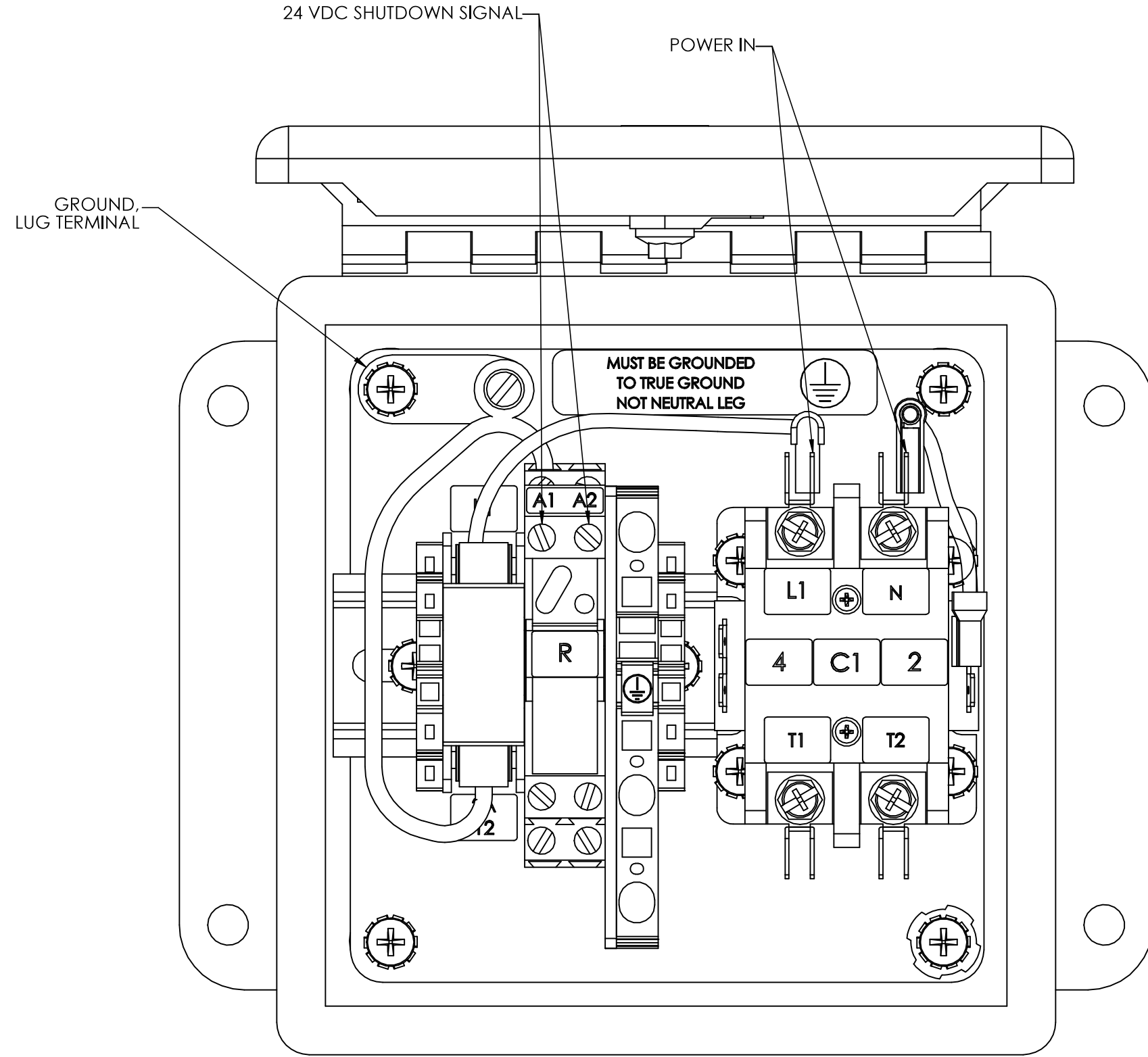
HOTSTART, INC. SPOKANE, WA.


PROPRIETARY INFORMATION

This drawing and the information shown on it are property of Hotstart, Inc. and are for the sole purpose of doing business with us. Any copying or transmittal to others of this information is strictly prohibited without prior written consent Hotstart.

CSM 230V 50Hz 1P 3kW COOLANT SYSTEM

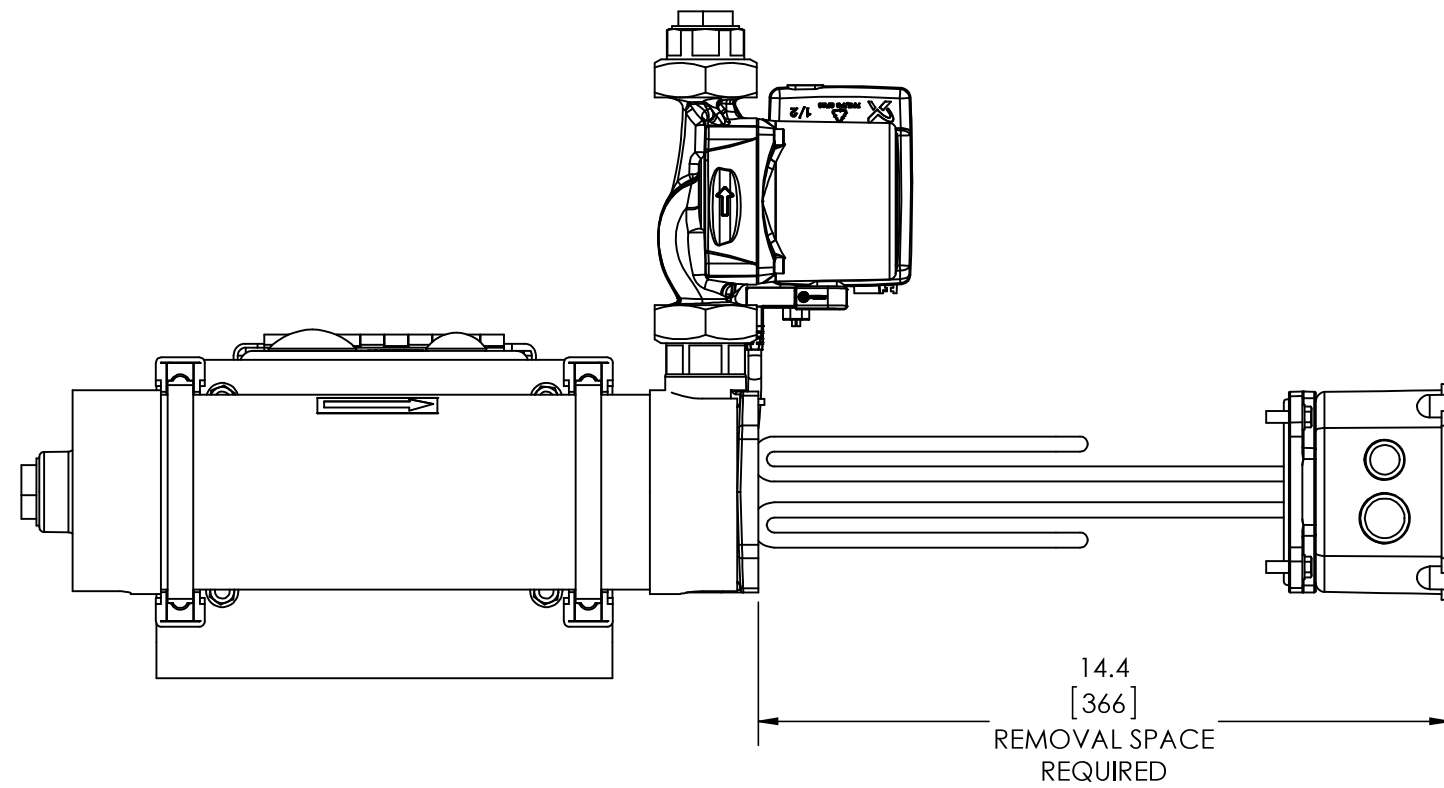
APPROVALS	DATE	UNLESS OTHERWISE SPECIFIED DIMENSIONS ARE IN INCHES [mm]	DWG. NO.
DRAWN BY	EMR	10-08-13	A-6726-1S
APPROVED BY	BBD	10-08-13	SIZE
THIRD ANGLE PROJECTION		TOLERANCES (Except as noted)	ORIGIN
		.XX ± N/A	CO8089
		.XXX ± N/A	SCALE
		ANGULAR ± N/A°	1:4
		DO NOT SCALE DRAWING	SHEET
			2 OF 4
			REV. 03




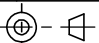


HOTSTART, INC. SPOKANE, WA.
 PROPRIETARY INFORMATION
This drawing and the information shown on it are property of Hotstart, Inc. and are for the sole purpose of doing business with us. Any copying or transmittal to others of this information is strictly prohibited without prior written consent Hotstart.

TITLE		CSM 230V 50Hz 1P 3kW COOLANT SYSTEM		DWG. NO.		A-6726-1S	
APPROVALS	DATE	UNLESS OTHERWISE SPECIFIED DIMENSIONS ARE IN INCHES [mm]		SIZE	ORIGIN		
DRAWN BY	EMR 10-08-13			B	CO8089		
APPROVED BY	BBD 10-08-13	TOLERANCES (Except as noted)		SCALE	1:5	SHEET	3 OF 4
THIRD ANGLE PROJECTION		.XX ± N/A ANGULAR ± N/A° .XXX ± N/A		DO NOT SCALE DRAWING	REV.	03	



ELEMENT ASSEMBLY REMOVAL/REPLACEMENT

		HOTSTART, INC. SPOKANE, WA. PROPRIETARY INFORMATION <small>This drawing and the information shown on it are property of Hotstart, Inc. and are for the sole purpose of doing business with us. Any copying or transmittal to others of this information is strictly prohibited without prior written consent Hotstart.</small>		
		TITLE CSM 230V 50Hz 1P 3kW COOLANT SYSTEM		
APPROVALS DRAWN BY EMR	DATE 10-08-13	UNLESS OTHERWISE SPECIFIED DIMENSIONS ARE IN INCHES [mm]	DWG. NO. A-6726-1S	
APPROVED BY BBD	DATE 10-08-13	TOLERANCES <small>(Except as noted)</small> .XX ± N/A ANGULAR ± N/A° .XXX ± N/A	SIZE B	ORIGIN CO8089
THIRD ANGLE PROJECTION 	DO NOT SCALE DRAWING	SCALE 1:5	SHEET 4 OF 4	REV. 03