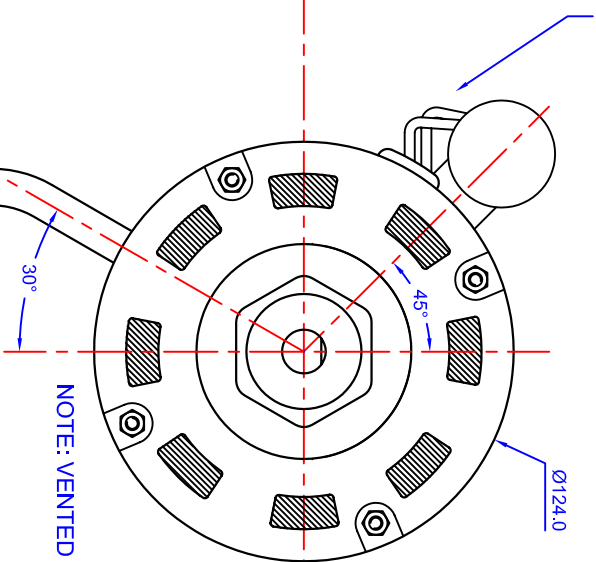


CAPACITOR LEADS EXTEND AS SHORT AS POSSIBLE & SOLDERED TO CAPACITOR

REVISION
2: 14.09.04 NEW STYLE MOTOR USED & MAX FLAT ON SHAFT



5 CORE CABLE EXTENDS - 1000mm FROM MOTOR BODY. SLEEVE CUT BACK 200mm 4xLEADS FITTED WITH 6.3mm FEMALE INSULATED TERMINALS. EARTH LEAD FITTED WITH 4.2mm RING TERMINAL

ENCLOSURE - VENTILATED END SHIELDS
- BODY ENCLOSED
BEARINGS - BALL PROTECTION - AUTOMATIC

ALL DIMENSIONS IN mm UNLESS OTHERWISE STATED

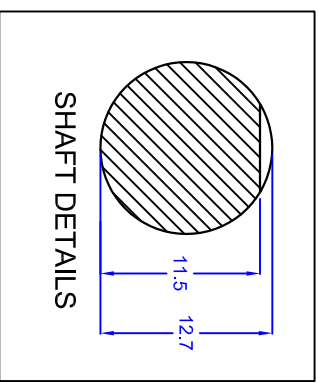
REMCO **CE**
 Model No. 48-4-210/3DS
 240V ~ 50Hz ~ 1260RPM
 1.6A ~ 210W
 6UF 440V CAP
 THERMALLY PROTECTED

NAMEPLATE DETAILS

REMCO ELECTRIC MOTORS
3-SPEED CONNECTION DIAGRAM

BLACK	-	HIGH SPEED
BLUE	-	MEDIUM SPEED
RED	-	LOW SPEED
WHITE	-	NEUTRAL
YELLOW	-	CAPACITOR
YELLOW	-	CAPACITOR
GRN/YELLOW	-	EARTH

CONNECTION DIAGRAM



J.SOMERVILLE DRW BY	CHECKED BY	APPROVED BY	48-4-210-3ds FILENAME	28-11-02 DATE	DO NOT SCALE
REMCO PRODUCTS LIMITED			48-4-210/3DS		



REMCO PRODUCTS LIMITED

48-4-210/3DS

2.0
ISSUE SHEET

