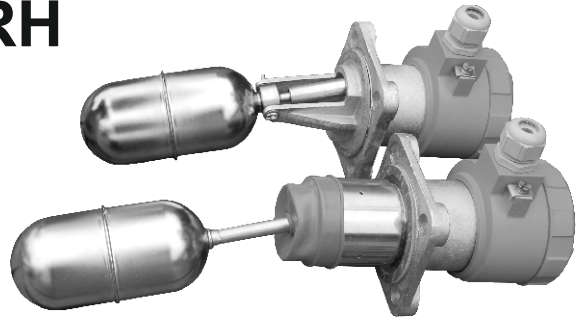


Level switch type ERH

- ✓ Explosion proof version
- ✓ Wetted parts material 316LSS
- ✓ Housing material: Aluminium or 316SS
- ✓ Housing protection IP66/68
- ✓ Nominal pressure 40bar
- ✓ Marine certificates (DNV-GL, LR, BV, PRS)

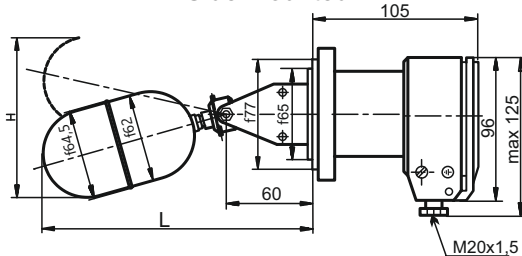


Application

Float level switches are used for point level detection of liquids in all type of vessels. Operation without external power, side or top mounting, wide temperature and pressure ranges, various process connections, stainless steel wetted parts, Ex version and marine certificates make it a universally applicable level switch. Level switches are available with floats in two sizes: R64.5 x 130mm or R52 x 162mm)

Type	IP	ATEX	DNV-GL	LR	BV	PRS	PZH
ERH-xx-04	IP66						
ERH-xx-06	IP66		•	•	•	•	•
ERH-xx-07	IP68		•	•	•	•	
ERH-xx-16	IP66	•	•	•	•	•	
ERH-xx-16.1	IP68	•	•	•			

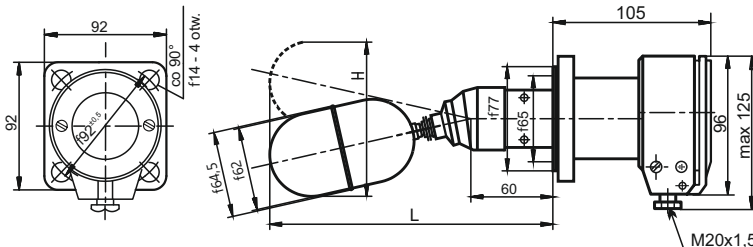
ERH-01-...
Side mounted



ERH-01-04, ERH-01-06, ERH-01-07
ERH-02-04, ERH-02-06, ERH-02-07

Symbol	H [mm]	L [mm]	Hysteresis [mm]
- 1	120	190	10
- 2	140	230	20
- 3	150	255	30

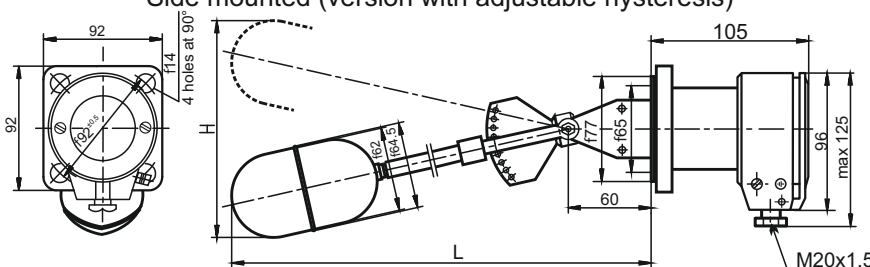
ERH-02-...
Side mounted (version with protection sleeve)



ERH-01-16, ERH-01-16.1
ERH-02-16, ERH-02-16.1

Symbol	H [mm]	L [mm]	Hysteresis [mm]
- 1	140	230	10
- 2	180	305	20
- 3	240	405	30

ERH-03-...
Side mounted (version with adjustable hysteresis)

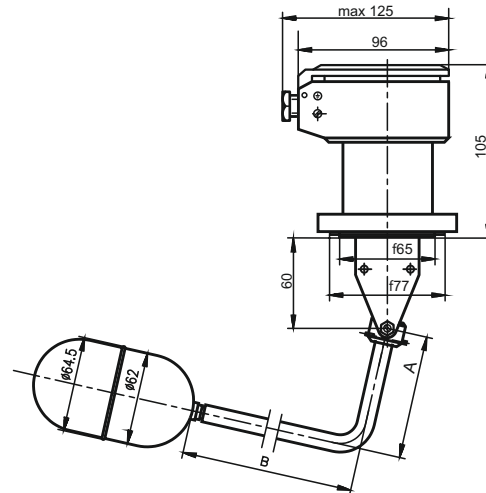
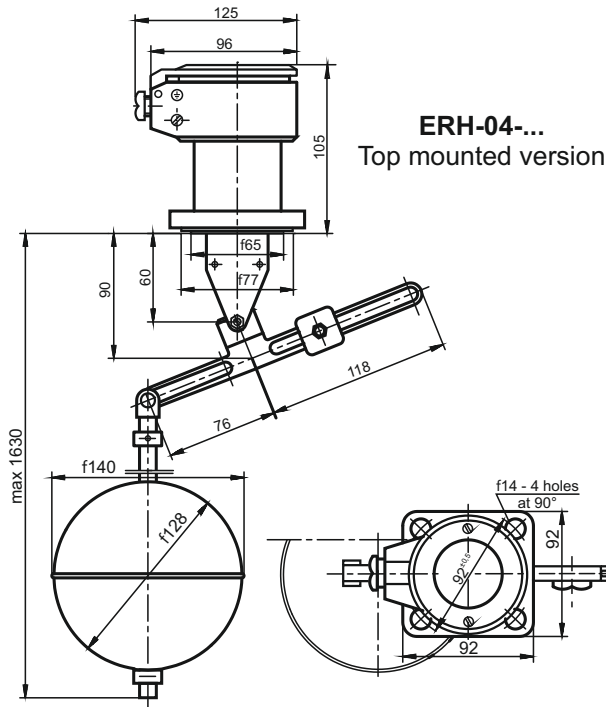


ERH-03-04, ERH-03-06, ERH-03-07

Symbol	H [mm]	L [mm]	Hysteresis [mm]
- 1	680	510	100...400
- 2	450	380	50...250

ERH-03-16, ERH-03-16.1

H [mm]	L [mm]	Hysteresis [mm]
680	510	50...400

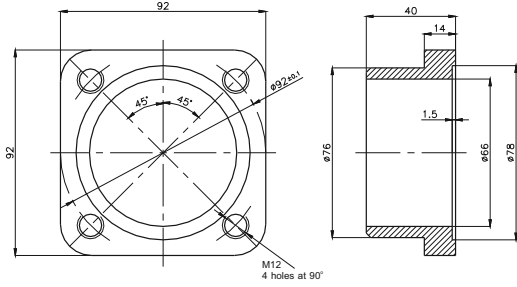
ERH-01-...-4-... / ERH-02-...-4-...
 Top mounted version

Technical data

Parameters		ERH-01-	ERH-02-	ERH-03-	ERH-04-
Hysteresis	ERH-xx-04, -06, -07	10, 20, 30 mm		50...250 mm	32...1350 mm
	ERH-xx-16, -16.1			100...400 mm	
Repeatability		±15%		±15%...±2% depending on the range	
Min. medium density		0,60 g/cm ³			
Max. process pressure	ERH-xx-04, -06, -16	4,0 MPa			1,6 MPa
	ERH-xx-07, -16.1	0,2 MPa			
Max. medium temperature	ERH-xx-04, -06	250°C			
	ERH-xx-16	100°C			
	ERH-xx-07, -16.1	70°C			
Ambient temperature		-25...+70°C			
Ingress Protection	ERH-xx-04, -06, -16	IP66			
	ERH-xx-07, -16.1	IP68			
Weight	ERH-xx-yy	1,8 kg	2,0 kg	2,1 kg	3,0 kg
	ERH-xxK-yy	2,6 kg	2,8 kg	2,9 kg	3,8 kg
	1m of cable	0,2 kg			
Explosion-proof	ERH-xx-16, -16.1	Ex II 1/2G c Ex de IIBT4 Ga/Gb			
Application		Liquids without contaminations by solid suspensions			Liquids without contaminations and contaminated by solid suspensions
Electric parameters	ERH-xx-04, -06, -07	AC15* U ≤ 230V; (50...60)Hz; I ≤ 10A; durability of contacts ≥ 3x10 ⁵ DC13** U ≤ 220V; I < 0,6A; durability of contacts ≥ 0,3x10 ⁵ Minimum voltage and switching current 10V; 20mA Cross section of connecting cables: one-wire 1...2,5mm ² multi-wire 0,75...1,5mm ²			
	ERH-xx-16, -16.1	AC15* U ≤ 230V (50...60)Hz; I ≤ 2,5A; durability of contacts ≥ 0,85x10 ⁵ DC13** U ≤ 220V; I < 0,3A; durability of contacts ≥ 0,3x10 ⁵ Minimum voltage and switching current 10V; 20mA Cross section of connecting cables: one-wire 1mm ² multi-wire 1mm ²			

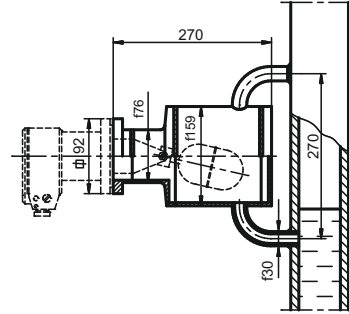
Category of usage: * acc. to PN-EN 60947-5-1, Electromagnet control (>72VA); ** acc. to PN-EN 60947-5-1, Electromagnet control

Accessories

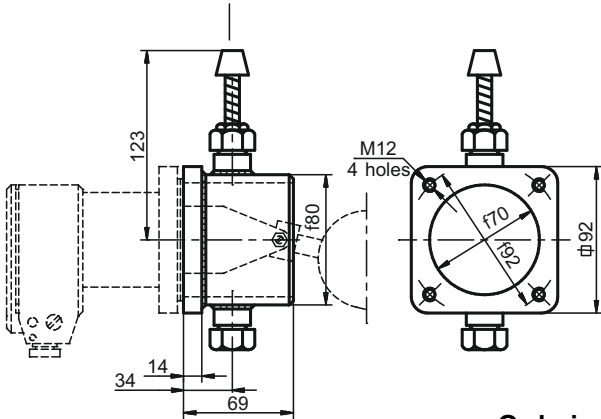
Counterflange type ER2-1646



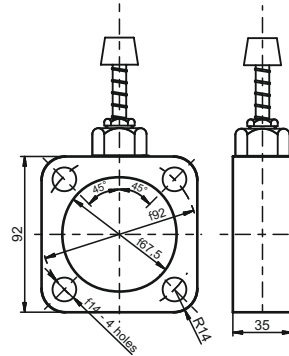
Assembly chamber ER3-1631



Tester ER3-1495



Tester ER3-1560



Ordering procedure

Model	Code	Description	
ERH		Level switch	
Constructional version	-01	Standard version	
	-02	Version for contaminated liquids with protection sleeve	
	-03	Version with adjustable hysteresis	
	-04	Top mounting version	
Version/certificate	-04	IP66, standard version	
	-04K	IP66, standard version, SS version	
	-06	IP66, marine approval, hygienic approval	
	-06K	IP66, marine approval, hygienic approval, SS version	
	-07	Submersible version IP68	
	-07K	Submersible version IP68, SS version	
	-16	IP66, explosion proof version	
	-16K	IP66, explosion proof version, SS version	
	-16.1	Submersible version IP68, explosion proof version	
	-16.1K	Submersible version IP68, explosion proof version, SS version	
Floating arm length/ hysteresis	Options for ERH-01 and ERH-02 only	-1	Hysteresis h=10mm
		-2	Hysteresis h=20mm
		-3	Hysteresis h=30mm
		-4-0	Floating arm length A=125mm, B=125mm
		-4-1	Floating arm length A=185mm, B=80mm
		-4-2	Floating arm length A=250mm, B=125mm
		-4-3	Floating arm length A=140mm, B=120mm
		-4-4	Floating arm length A=100mm, B=120mm
		-4-5	Floating arm length A=120mm, B=80mm
		-4-6	Floating arm length A=150mm, B=80mm
	-4-Y	Floating arm length on request (please specify A and B)	
	Options for ERH-03 only	-1	Adjustable hysteresis min 100mm, max 400mm
		-2	Adjustable hysteresis min 50mm, max 250mm
		for ERH-03-16 and ERH-03-16.1 hysteresis min 50mm, max 400mm	
Cable	-1	Without cable	
	-2	With cable L= ...m (standard 3m, other length on request,)	
Accessories	/ER3-1560-1	Testing equipment (material: St3S)	
	/ER3-1560-2	Testing equipment (material: 316Lss)	
	/ER3-1495	Testing equipment to weld in a tank	
	/ER2-1646-1	Counter flange (material: St3S)	
	/ER2-1646-2	Counter flange (material: 316Lss)	
	/ER3-1631	Assembly chamber	
	/DN80	Process connection flange DN80	
	/ANSI 3"	Process connection flange ANSI 3" 150LB	