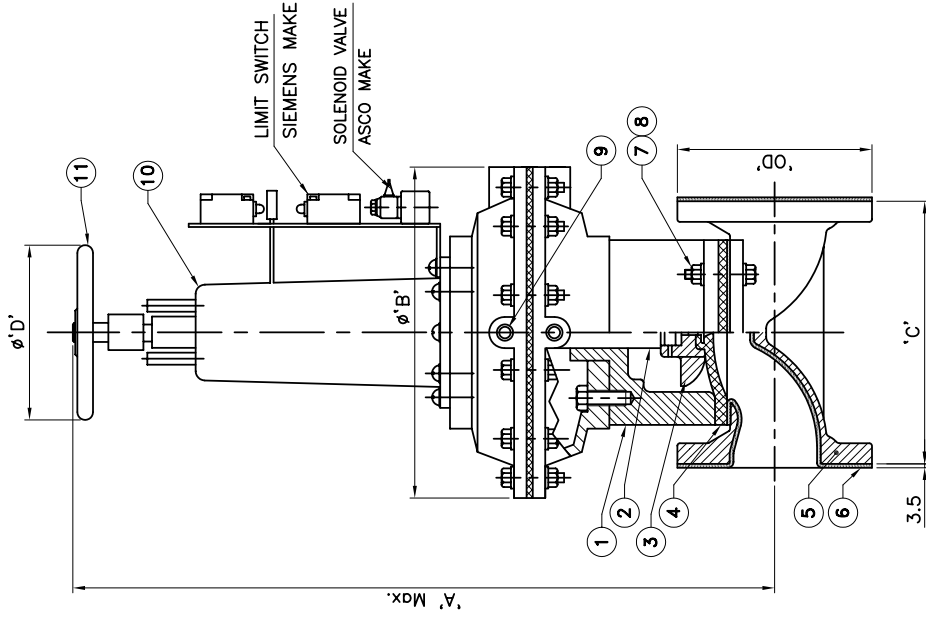


ITEM	COMPONENT	MATERIAL
1	BONNET	ASTM A352 GR. LCC
2	SPINDLE	SS 304
3	COMPRESSOR	ASTM A216 GR. WCB
4	LINE DIAPHRAGM	300, BUTYL
5	BODY	ASTM A352 GR. LCC
6	BODY LINING	HARD RUBBER (EBONITE)
7	BODY/BONNET BOLT	ASTM A193 GR. B7
8	BODY/BONNET NUT	ASTM A194 GR. 2H
9	CYLINDER PLUG	STEEL 1/4" BSP
10	ACTUATOR	MODEL ES069 SPRING TO OPEN & AIR TO CLOSE
11	HANDWHEEL	CI-IS 210 FG 260

SIZE(DN)	TAG NUMBER	QTY.
50	XV-160 & XV-164	02



FLANGE DRILLING DETAILS
AS PER ANSI B16.5 CL. 150

VALVE SIZE	OD MM.	P.C.D. MM.	NO. OF HOLES	ϕ HOLE MIN.
INS DN LISED	50	153	4	19

SIZE DN	A MM	ϕ B MM	C MM	ϕ D MM
50	680	260	190	170

HYDROSTATIC TEST PRESSURE	
SHELL	24 BARG
SEAT	6 BARG

BODY LINING MATERIAL	HARDNESS SHORE 'A'	SPARK TEST kV
HARD RUBBER (EBONITE)	95 \pm 5	17

NOTES :-

1. VALVE DESIGN - BS EN 13397:2002 (EX - BS 5156)
2. FACE TO FACE DIMENSIONS - DIN EN 558-1:1995 SERIES 7 (EX - BS 5156)
3. VALVE TESTING - BS EN 12266-1:2003 & BS EN 12266-2:2002 (EX - BS 6755 PART-1)
4. FLANGE FACE WILL BE FLAT FACE
5. LINING THICKNESS 3 mm MINIMUM
6. OVERALL DIMENSIONS ARE INDICATIVE EXCEPT FACE TO FACE
7. SOLENOID VALVE - ASCO MAKE, 3/2 WAY, 24V DC, FLAME PROOF TO GAS GROUP IIA/IB, SS BODY, 1/4" NPT, MODEL : AEB320A202
8. LIMIT SWITCHES - SIEMENS MAKE, 2 NOS, 1NO+1NC, MODEL-3SE3-100-1B

TITLE
GENERAL ARRANGEMENT OF 'A' TYPE
RUBBER LINED DIAPHRAGM VALVE WITH
SPRING OPENING (ESO 69) ACTUATOR

CUSTOMER NAME :-
METITO (OVERSEAS) LIMITED
CUSTOMER DOC. NO. :-
KE01-A1-570-MT-P-LV-0002-000 DTD.25.10.06
SCALE :
NTS
CAD FILE :
B43-3.dwg
CRANE OA NO. :-
AWAITED
REV. DESCRIPTION DATE

CRANE PROCESS FLOW
TECHNOLOGIES (I) LTD.
PUNE INDIA

DRN	GMS	SIGN	DATE
CHKD	PRV		06.12.06
APRD	STS		06.12.06

DRAWING NO.	REV.
EQ-B43-03-03	0

ALL DIMENSIONS ARE IN mm